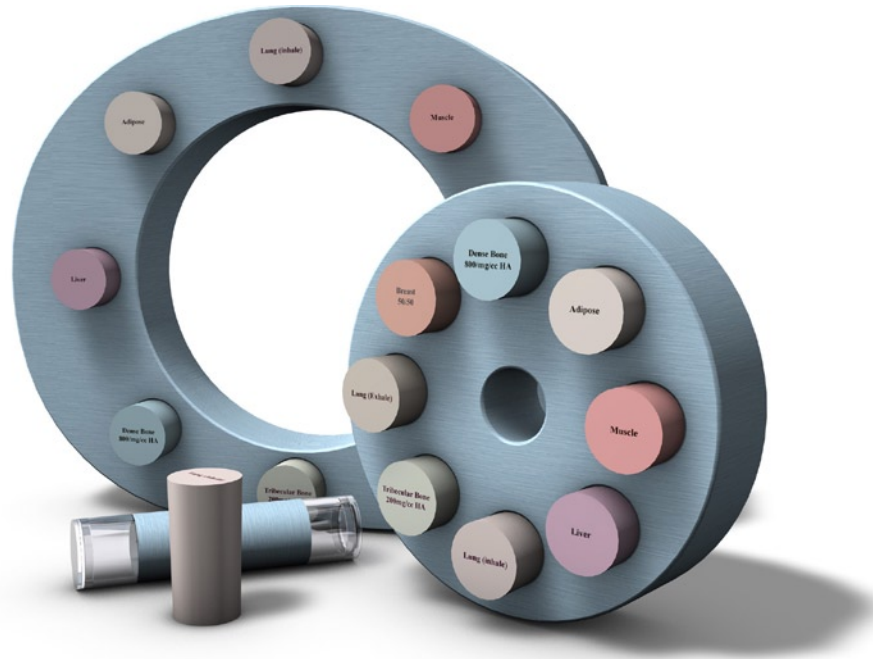


Electron Density Phantom

Model 062



CORRELATE CT NUMBER AND TISSUE ELECTRON DENSITY

Because CT scans are used to correct for tissue inhomogeneities in radiotherapy treatment planning, it is important to obtain a precise relationship between CT number (in Hounsfield units) and electron densities. The Model 062 Electron density phantom enables precise correlation of CT data to electron density of various tissues. The phantom is manufactured from CIRS Tissue Equivalent Materials.

The Model 062 consists of nested disks made from Plastic Water®. This enables both head and abdomen configurations. Eight different tissue equivalent inserts can be positioned at 17 different locations within the scan field. Included is a syringe insert that can be filled with any fluid or solid material. Special marker inserts enable quick assessment of the CT scanner's distance measurement accuracy.

Physicists performing treatment planning need accurate tools to evaluate CT scan data, correct for inhomogeneities and to document the relationship between CT number and tissue density. To improve the accuracy of your treatment planning, consider the CIRS Model 062 Electron Density Phantom.

Features

- Evaluate CT scan data
- Correct for inhomogeneities
- Document relationship between CT number and tissue electron density
- Simulate indicated tissue within the diagnostic energy range
- Quick assessment of distance registration

2428 Alameda Avenue Suite 316 • Norfolk, Virginia 23513 • USA
Tel: 800.617.1177 • 757.855.2765 • Fax: 757.857.0523

WWW.CIRSINC.COM

CIRS

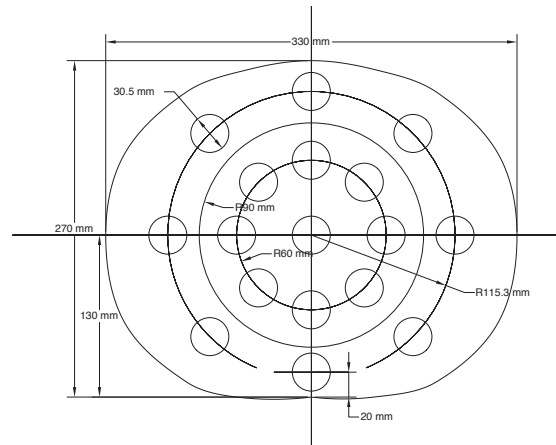
Tissue Simulation & Phantom Technology

SPECIFICATIONS

OVERALL DIMENSIONS:	33 cm x 5 cm x 27 cm (13" x 2" x 10.6")
WEIGHT:	24 lbs. (8.9 kg)
MATERIALS:	Water and Tissue Equivalent Epoxy Materials

MODEL 062 INCLUDES

QTY	DESCRIPTION
1	Electron Density Phantom
1	Carry Case
1	User Guide
-	48 Month Warranty



QTY	MODEL NO.	DESCRIPTION	PHYSICAL DENSITY	ELECTRON DENSITY PER CC X 10 ²³	RED (RELATIVE TO H ₂ O)
1	06202	Electron Density Body with Head Insert	1.01	3.346	1.002
1	-	Phantom Body (Outer Ring)	1.01	3.346	1.002
INSERTS					
1	06203	H ₂ O Syringe Insert	1.00	3.340	1.000
2	06204	Lung (Inhale) Equivalent Insert	0.20	0.634	0.190
2	06205	Lung (Exhale) Equivalent Insert	0.50	1.632	0.489
2	06206	Breast (50% Gland / 50% Adipose) Equivalent Insert	0.99	3.261	0.976
2	06207	*Dense Bone (800mg/cc HA) Equivalent Core Insert	1.53	4.862	1.456
2	06208	Trabecular Bone (200mg/cc HA) Equivalent Core Insert	1.16	3.730	1.117
2	06209	Liver Equivalent Insert	1.07	3.516	1.052
2	06210	Muscle Equivalent Insert	1.06	3.483	1.043
2	06211	Adipose Equivalent Insert	0.96	3.170	0.949
2	06213	Distance Marker Insert	1.01	-	-

MODEL 062 OPTIONAL ACCESSORIES

MODEL NO.	DESCRIPTION	PHYSICAL DENSITY	ELECTRON DENSITY PER CC X 10 ²³	RED (RELATIVE TO H ₂ O)
06212	*Titanium Rod Core Insert	4.51	12.475	3.735
06214-CV†	H ₂ O Equivalent Insert with Cavity for Ion Chamber	1.01	3.346	1.002
06215	Dense Bone (800mg/cc HA) Equivalent Insert	1.53	4.862	1.456
06216	H ₂ O Equivalent Insert	1.01	3.346	1.002
06217	*Dense Bone (1000mg/cc HA) Equivalent Core Insert	1.66	5.243	1.570
06218	*Dense Bone (1250mg/cc HA) Equivalent Core Insert	1.83	5.718	1.712
06219	*Cortical Bone Equivalent Core Insert	1.93	5.956	1.780
06220	*Dense Bone (1500mg/cc HA) Equivalent Core Insert	2.00	6.209	1.859
06221	*Dense Bone (1750mg/cc HA) Equivalent Core Insert	2.17	6.698	2.005
06222	Bone Ring for 06201 Head Insert	-	-	-

* These inserts contain a 10 mm diameter core of indicated bone reference surrounded by H₂O background. Hydroxyapatite (unit mg/cc) in H₂O background Plugs to accommodate chambers, TLD's and film available upon special request.

† Refer to separate CIRS cavity and plug code list for available chamber cavities.