

**MQSA ITEM**

# Single Exposure High Contrast Resolution Phantom

Model 016A



## **PERFORM QC INSPECTIONS OF MAMMOGRAPHY SYSTEM RESOLUTION WITH JUST ONE EXPOSURE!**

The CIRS Model 016A incorporates two 17.5 micron thick gold-nickel alloy bar patterns. These bar patterns are positioned at 90 degrees to allow assessment of resolution perpendicular and parallel to anode-cathode axis in just one exposure. The targets have 17 segments from 5 lp to 20 lp/mm and are equivalent to 25 microns of lead or 2.6 mm of aluminum at 20 keV.

The patterns are permanently embedded in a thin acrylic wafer (Model 016AW) to protect them from wear or damage.

The phantom body consists of breast equivalent materials and features a cavity for the acrylic wafer. This design enables consistent, reproducible positioning of the bar pattern at 4.5 cm above the breast support plate and 1 cm from the chest wall, centered laterally (as recommended by the American College of Radiology).

### **Features**

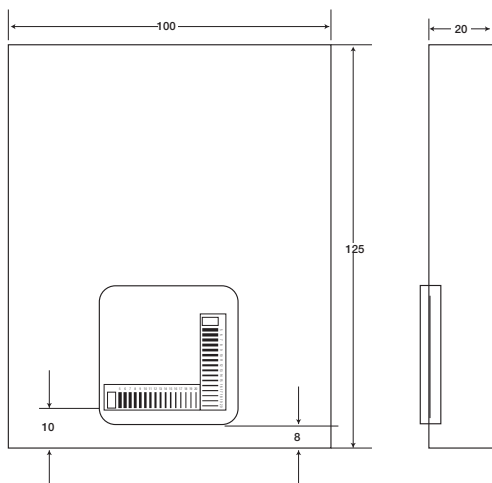
- Perpendicular bar pattern design for assessment of system resolution using single exposure
- Reproducible positioning
- Acrylic wafer to protect bars from wear and damage
- Breast equivalent phantom body materials

900 Asbury Ave • Norfolk, Virginia 23513 • USA  
Tel: 800.617.1177 • 757.855.2765 • Fax: 757.857.0523

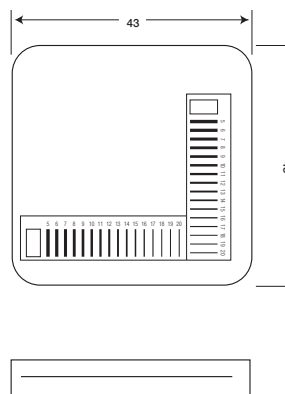
**[WWW.CIRSINC.COM](http://WWW.CIRSINC.COM)**

**CIRS**

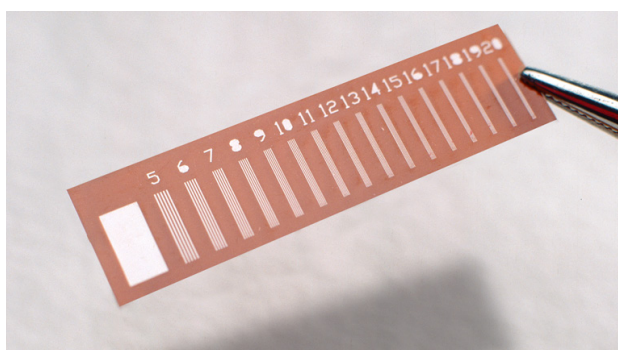
Tissue Simulation & Phantom Technology



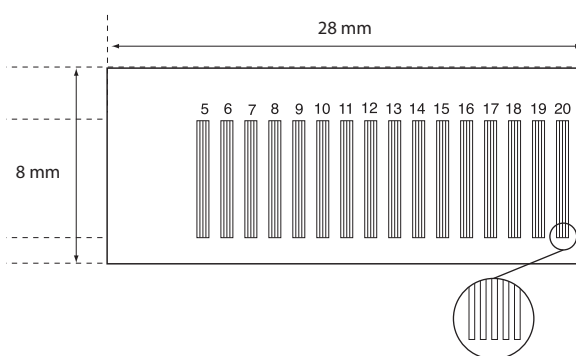
Slab Layout with Acrylic Target



Acrylic Target (016AW)



Line Pair Test Pattern embedded in 016AW



20 Line Pair per Millimeter Bar Pattern

**SPECIFICATIONS**

<b>SET DIMENSIONS:</b>	12.5 cm x 10 cm x 4.5 cm (4.9" x 3.9" x 1.7")
<b>PHANTOM WEIGHT:</b>	2 lbs. (0.7 kg)
<b>MATERIALS:</b>	Phantom: BR12 Target: Gold Nickel Construction (equivalent to 25 microns lead or 2.6 mm aluminum) Embedded in acrylic

**MODEL 016A SET INCLUDES**

PART NO.	QTY	COMPONENT DESCRIPTION
016A Set	1	12.5 cm x 10 cm x 0.5 cm Slab (BR12)
	1	12.5 cm x 10 cm x 2 cm Slab (BR12)
	1	12.5 cm x 10 cm x 2 cm Slab with cutout for Acrylic Target (BR12)
016AW	1	Acrylic wafer with two Line Pair Test patterns positioned at 90 degrees

The 016A Set is available in the following composition.

MODEL NO.	MODEL DESCRIPTION
016A- BR12	Ultra High Contrast Resolution Phantom (5 to 20 Lp/mm)- BR12

