

DEXA Phantom

Model 026



THE "BONA FIDE PHANTOM" (BFP)⁽¹⁾

BioClinica's "Bona Fide Phantom" (BFP), is a quality control tool for Dual-Energy X-ray Absorptiometry (DEXA) instruments, which features an acrylic-embedded calcium hydroxyapatite (CHA) step-wedge. Advanced design features make it the best choice for assessing DEXA instrument stability. You can successfully use the BFP on all mainstream DEXA instruments.

The BFP offers a range of densities (0.7 - 1.5 g/cm²), to verify instrument function over the clinically relevant range, not just at a single "healthy" BMD. Linearity of BMD over the clinically range is critical for full instrument evaluation. Our phantom uses a CHA insert for direct assessment of bone density accuracy, which is compliant with FDA guidelines for cross-calibration phantoms for clinical trials.

The BFP is cast in acrylic and comes with its own carrying case for easy handling. The tote remains on the phantom during scanning and does not affect BMD readings, allowing rapid placement and removal for the phantom from the bed. A flight case is available as an option.

Features

- Checks a Range of Densities
- FDA Compliant
- Easy to carry and can be Scanned in the Bag
- Universal Axial DEXA Instrument Compatibility
- No Water Bath
- Edge-Detection Challenge
- Realistic Soft Tissue Mimic

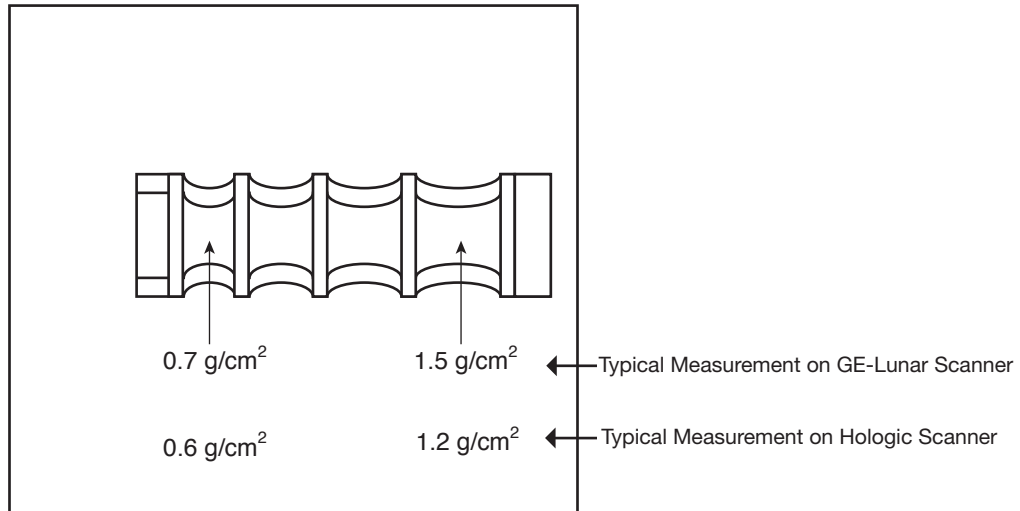
(1) BFP design is the property of BioClinica, Inc.

900 Asbury Ave • Norfolk, Virginia 23513 • USA
Tel: 800.617.1177 • 757.855.2765 • Fax: 757.857.0523

WWW.CIRSINC.COM

CIRS

Tissue Simulation & Phantom Technology



Note: The various DXA scanner manufacturers have developed and published cross-calibration formulas for use in data comparison.

SPECIFICATIONS

OVERALL DIMENSIONS	22 cm x 19 cm x 15 cm (8.7" x 7.5" x 6")
WEIGHT	17 lbs. (6.3 kg)
MATERIALS	<p>ACRYLIC EMBEDDED Calcium Hydroxyapatite</p> <p>SOFT TISSUE ANALOG Approximately 25 % Fat</p> <p>BMD RANGE 0.7 to 1.5 g/cm² (GE-Lunar) 0.6 to 1.2 g/cm² (Hologic)</p>

MODEL 026 INCLUDES

QTY	COMPONENT DESCRIPTION
1	DEXA Phantom
1	Carrying Case
1	User Guide
-	48-Month Warranty

References:

A comparison of phantoms for cross-calibration of lumbar spine DXA. Pearson, D., Cawte, SA, Green, DJ., Osteoporosis Int. 2002 13:948-954.

Choice of Cross-Calibration Phantom for DXA of the Lumbar Spine and Total Hip. Jackson, SA., Miller, CG. J. Bone Min. Res. 18, Suppl. 2. S.314, 2003.

